

Bosch Smart Home

Twinguard Smoke Alarm with air quality sensor Instruction Manual

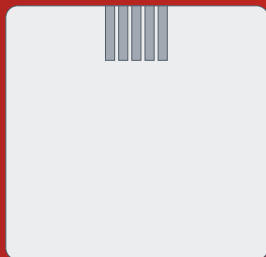


BOSCH

Start making your home smart!



Please be sure to install the Bosch Smart Home Smoke Alarm Gateway first! The gateway is part of your Twinguard Starter Set.



Ensure that you have installed and successfully set up both the Bosch Smart Home Gateway and the Bosch Twinguard App. You need these to enjoy all the features of your Twinguard and to interconnect multiple smoke alarms.

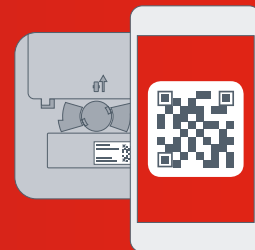
Set up your product in just three steps



► **Start the Bosch Twinguard App**



► **In the menu, under rooms, select "add new Twinguard"**



► **Scan the QR code and follow the instructions**



You can also watch easy to follow installation videos on our website: www.bosch-smarthome.com/installation



Dear customer,

Congratulations on purchasing your Bosch Smart Home Twinguard Smoke Alarm. It will help you to make your home even safer and smarter. The Twinguard Smoke Alarm can do more than just detect smoke. Its integrated LED, lights up the escape route in case of an emergency. An air quality sensor measures not only room temperature, but also relative humidity and volatile organic compounds (VOC) of the air. For greater safety and comfort you can interconnect multiple Twinguard Smoke Alarms through the Gateway.

**We hope you enjoy your new product,
The Bosch Smart Home team**

TABLE OF CONTENTS

1.0 Product description	08	4.0 Indicators and controls	16	6.0 Fixing	26	9.0 Product details	40
1.1 Intended use	11	4.1 Product overview	16	6.1 Mounting instructions	26	9.1 Technical data.....	40
2.0 In the box	12	5.0 Installation and set up	20	6.2 Fixing with screws	32	9.2 Declaration of conformity	41
3.0 Warning notices	14	5.1 Starting the Bosch Twinguard App	31	7.0 Maintenance instructions	34	9.3 Faults in radio operation	41
3.1 Explanation of symbols	14	5.2 Set up more smoke alarms	23	7.1 Visual inspection	35	9.4 Open-source software.....	42
3.2 Safety instructions	15	5.3 Activating the Twinguard.....	24	7.2 Functional test	36	9.5 Environmental protection and disposal	47
				8.0 Alarm and troubleshooting	38	10.0 Further information	47
				8.1 Faults	38		
				8.2 Switching off the Smoke Alarm	39		

1.0 PRODUCT DESCRIPTION

The Twinguard is a Smoke Alarm manufactured to EN 14604: 2005/ AC: 2008 which connects wirelessly to a Gateway. It is equipped with the following functions and components:

- ▶ Audible alarm
- ▶ 360° light strip for visual signals
- ▶ Radio module
- ▶ Alarm LED
- ▶ Emergency lighting
- ▶ Air quality sensor
- ▶ Smoke sensor
- ▶ Large operating button
- ▶ Batteries

The product reliably warns you of potential fires in your home. If smoke is detected both a visual and audible alarm is triggered.

The Gateway links all the Twinguard Smoke Alarms installed in your home and enables the connection to your mobile device, so if an alarm is triggered a notification is forwarded to your phone.



The Gateway must be set up before the smoke alarms!



Without the smoke alarm gateway you are not able to link multiple smoke alarms.



The forwarding of alarms to connected Twinguards and mobile devices will only work when the gateway is switched on and connected to the internet.



Up to 24 Twinguard Smoke Alarms can be connected to one Gateway.



Only one Gateway can be set up with your Twinguard Smoke Alarms.



You can find more detailed information about your products, e.g. blinking and malfunction codes, and how best to use them at: **www.bosch-smarthome.com**

1.1 Intended use

The product is intended for indoor use in residential buildings. It should only be used together with original Bosch Smart Home components.

- ▶ Follow the safety instructions and the directions in this manual and the Bosch Twinguard App to ensure that the product is set up correctly
- ▶ Observe the connection conditions, ambient temperatures and humidity limits in the Technical Data section (see p. 40)
- ▶ Avoid installing in areas prone to high amounts of direct sunlight or near to sources of heat or cold

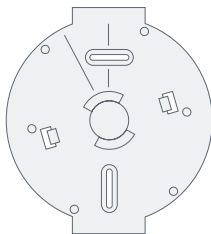


Do not modify the product in any way. Any other use is considered unintended use. We will not assume liability for any resulting damage.

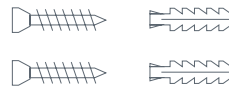
2.0 IN THE BOX



Twinguard Smoke Alarm



Mounting bracket



2 screws,
2 plugs



Please check that all products are in the box and are undamaged. Please mount only parts that are in immaculate condition.



Batteries (6 x 1,5 V AA Alkaline) are already included and can be replaced as necessary.

3.0 WARNING NOTICES

3.1 Explanation of symbols



Warning.

This alerts you to danger.



Info.

Indicates important information.

3.2 Safety instructions



Please do not open the Twinguard Smoke Alarm. The product does not contain any user replaceable parts.

The Gateway or Twinguard should not be dismantled. In case of fault, please contact our customer service team on 00800 843 762 78. Please observe the intended use.



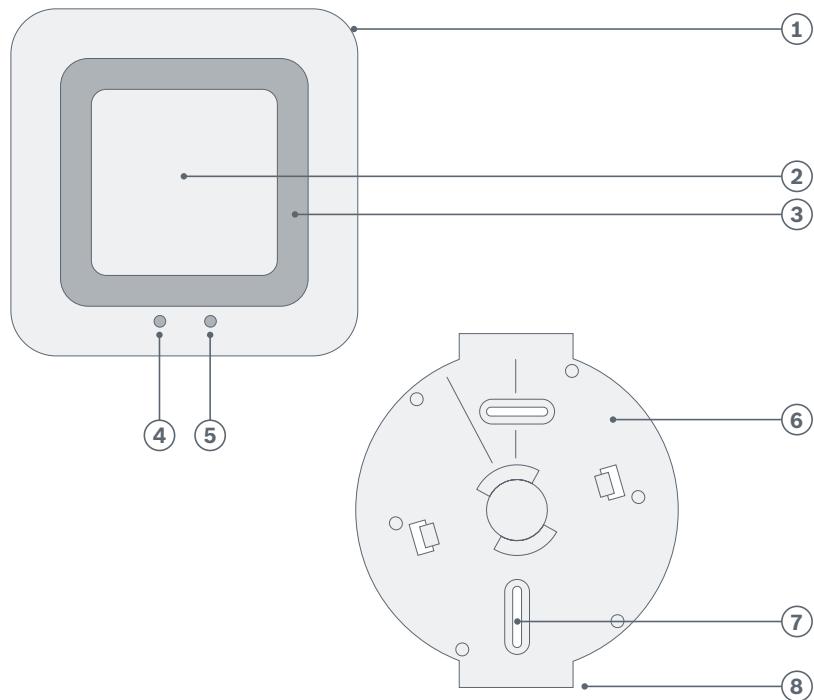
The product must only be used with original components. Only use batteries recommended in the Technical Data. The product should only be mounted using the material recommended in this manual. Do not paint or wallpaper over any of the devices!



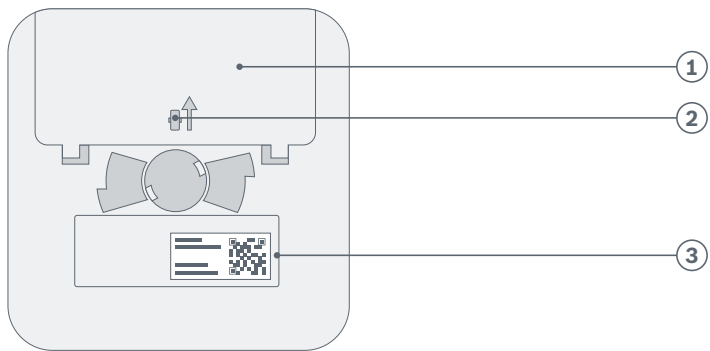
Batteries must not be exposed to excessive heat such as sunlight, fire, etc.

4.0 INDICATORS AND CONTROLS

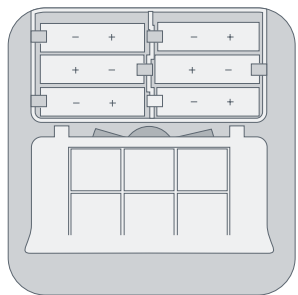
4.1 Product overview



Item	Part	Explanation
1	360° LED light strip	For indicating the status: red, orange, green, blue
2	Operating button	For accessing and carrying out functions
3	Alarm	Audible signal
4	Alarm LED	Red: alarm or fault
5	Emergency lighting	To ensure safe passage out of the danger zone
6	Mounting bracket	For ceiling installation
7	Screw slot	For accurate alignment of the alarm
8	Straight edge	For aligning the Twinguard with the ceiling level



Item	Part	Explanation
1	Battery compartment	-
2	Red plastic pin	For activating the Twinguard
3	QR code	Scan for device identification



Battery compartment can only be closed when all batteries have been inserted.

5.0 INSTALLATION AND SET UP



Before you start

In order to set up the Twinguard, your mobile device must be connected to the same WiFi network that your gateway is connected to. Follow the instructions in the Bosch Twinguard App to add more smoke alarms.

5.1 Starting the Bosch Twinguard App



Now start the Bosch Twinguard App and log in using your username and password under “Login”. If you do not

have a Bosch Account, you can create one using the app.



You can also use your Bosch Account for other Bosch devices you want to interconnect in a network. If you already have a Bosch Account for another service, you can use it to log in directly.



To add another smoke alarm follow the App, click in the menu → rooms → add new Twinguard. From this point, the app guides you through the installation process.



There must be a functioning Wireless network and internet connection in order for warnings to be sent in the event of a potential fire. Robert Bosch Smart Home GmbH are not able to offer a guarantee on the time it will take for this notification to be transmitted.



Please note that the emergency services number stored in the App will not be automatically called if the Twinguard Smoke Alarm detects smoke. If necessary, you always have to call the emergency services yourself!

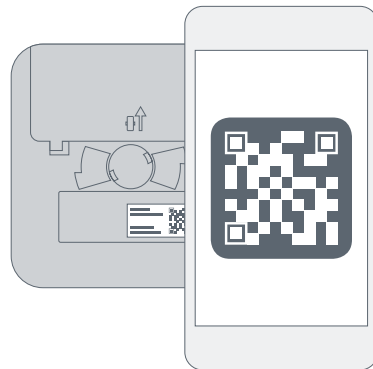


You need to ensure that your mobile device is on and connected to a mobile communications network in order for it to receive warnings and notifications from the Twinguard Smoke Alarm.

5.2 Set up more smoke alarms



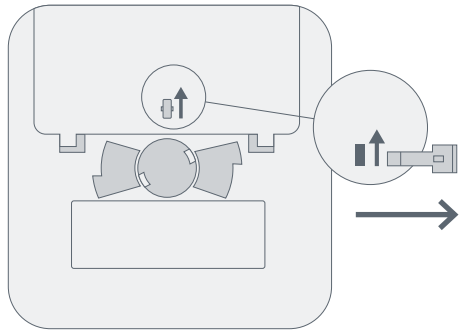
In order to set up the Twinguard, your mobile device must be connected to the WiFi network that your Gateway is already connected to.



Follow the instructions in the Bosch Twinguard App to add more Smoke Alarms.

This will require scanning the QR code found on the back of each Smoke Alarm.

5.3 Activating the Twinguard



When prompted by the app, activate the Twinguard Smoke Alarm by removing the red pin on the back.



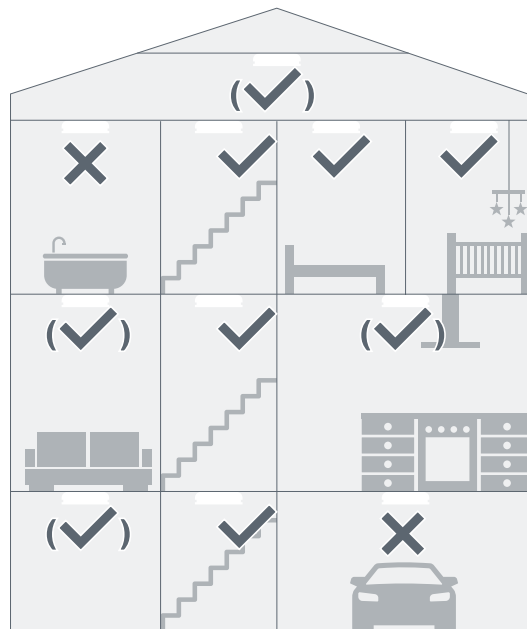
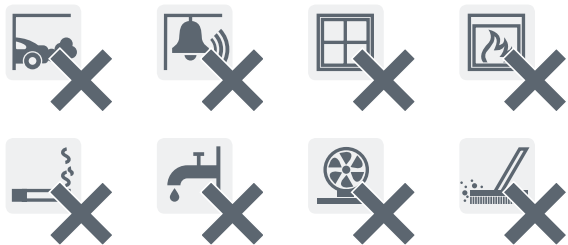
The Twinguard will become operational when the red pin has been removed. Please note that inadvertently pressing the operating button will trigger a test alarm.

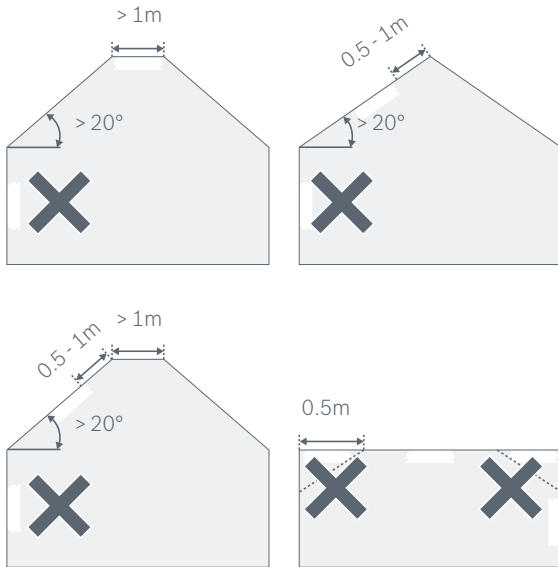
6.0 MOUNTING THE TWINGUARD

6.1 Mounting instructions



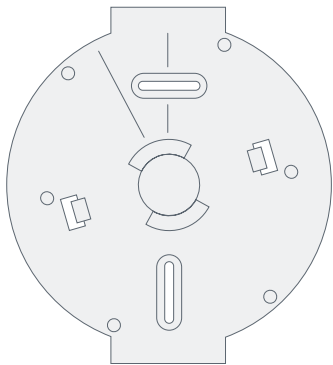
It is best practice to install several smoke alarms in your home to be fully protected. As a minimum we recommend that they are installed in every Bedroom, Kids room and in all hallways that serve as an escape route. For the maximum effectiveness we recommend that additional smoke alarms should be installed in living areas, attics and basements.





The Smoke Alarm should be mounted on the ceiling, its important to note certain factors when choosing the best position.

- ▶ Mount the device in the center of the ceiling. The maximum monitoring area of an alarm is 60 m². In large rooms, an extra alarm should be fitted for every 60 m². The maximum height a smoke alarm should be installed is 6 m
- ▶ If being installed in Hallways (maximum 3 m wide), a smoke alarm must be installed at least every 15 m along the length of the hallway. There should be no more that 7.5 m from a smoke alarm and the end of the hallway. We recommend that a smoke alarm is installed at all hallway junctions and corners
- ▶ In rooms that are divided into multiple floors, it is recommended that a smoke detector is installed on each level where the ceiling area is greater than 16 m², and the length and width is over 2 m.
- ▶ If your ceiling is split by beams or joints that protrude greater that 0.2 m, we recommend that multiple Smoke Alarms are fitted if the ceiling area created by the beams is greater than 36 m²



Align the straight edge of the mounting bracket parallel to the ceiling edge of the desired room so the Smoke Alarm is parallel to the edge of the room.



In order to prevent injury, the mounting instructions in this instruction manual must be followed and the general safety regulations observed.

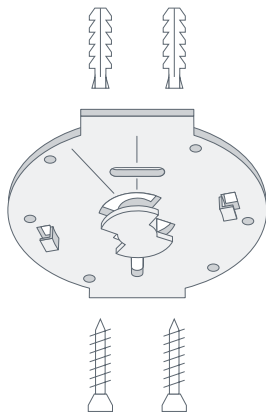


When choosing a mounting location and when drilling, pay attention to potential electrical cables and/or supply lines that could be behind the wall.



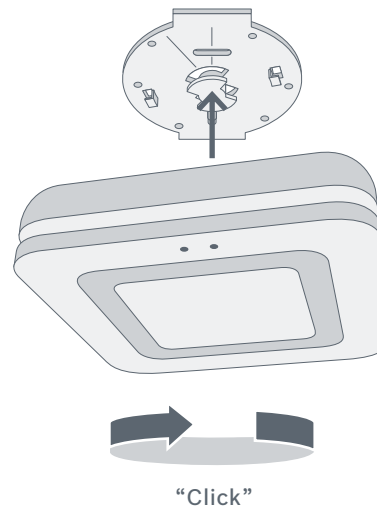
The kit includes two 3.5 x 30 mm countersunk cross-head screws and two 5 mm universal wall plugs, which are suitable for fitting to concrete ceilings.

6.2 Fixing with screws



- ▶ Hold the mounting bracket in the desired position
- ▶ Mark the drill holes

- ▶ Drill the holes and insert the plugs
- ▶ Position the mounting bracket and screw it on



- ▶ Now fit the Smoke Alarm to the mounting bracket, align and rotate in the direction of the arrows

- ▶ When you hear a "Click" your Twinguard is mounted correctly

7.0 MAINTENANCE INSTRUCTIONS

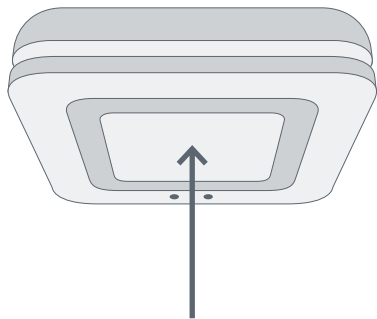


We recommend you inspect and test your Twinguard on a monthly basis.

7.1 Visual inspection

- ▶ The smoke inlet openings along the 360° light strip and the sound outlets are not clogged (e.g. by dust, dirt or paint)
- ▶ If necessary, clean the Smoke Alarm carefully with a damp cloth
- ▶ Check for any damage and that the bracket is still firmly fixed in place.
- ▶ Ensure that there is a clear space of 0.5 m around your Twinguard so smoke detection is not hindered

7.2 Functional test



► To do this, briefly press the operating button. The alarm will sound three times at a reduced volume, the alarm LED and the LED light strip will flash red and the emergency lighting will turn on

► If the functional test was successful, the 360° LED light strip will light up blue for one second



We recommend that you test your Twinguard immediately following installation and every month following that. It should also be checked following every battery change and software update.



If the signals described do not appear, the Smoke Alarm is faulty: Please replace the product in this case.



Always press the Smoke Alarm's operating button in the center at the height of the Bosch logo.

By initiating a test or muting an alarm using the operating button fire detection is deactivated for the next

10 minutes. It initiated or muted using the APP, detection remains active.

8.0 ALARM AND TROUBLESHOOTING

8.1 Faults

Audible signal	Visual signal	Cause	Measure
Quiet signal, every 43 s	Yellow LED flashes 3 times every 43 s	Alarm faulty	Replace the Alarm
Quiet signal, every 300 s	Yellow LED flashes once every 300 s	Batteries nearly empty	Replace the batteries
Quiet signal, sounds every hour	–	Alarm OK, but batteries in one of the other alarms in the network are nearly empty	Look for a alarm whose 360° circumferential LED light strip is flashing yellow (once every 300 s) and replace its batteries



Flash and fault codes, information about how to reset the Twinguard to its factory settings plus much more can be found in the online FAQs at www.bosch-smarthome.com/faq

8.3 Switching off the Smoke Alarm

If the alarm is triggered, please press the operating button in the center of the Smoke Alarm to mute it.

Alternatively you can silence the alarm using the Twinguard App.



If the operating button is used to initiate the functional test or switch off an alarm, both fire detection and the alarm is deactivated for 10 minutes.

9.0 PRODUCT DETAILS

9.1 Technical data

Model name	FRS-5000-OW-EN
Article number	F.01U.322.832
Rated voltage	6 x 1.5V AA alkaline batteries (replaceable)
Battery manufacturer type	Duracell / Panasonic
Battery life	2 years (typical)
Type of protection	IP30
Ambient temperature	5°C to 30°C
Storage temperature	-5°C to 30°C
Maximum humidity	85%
Radio frequency	2,4 GHZ ISM band
Max. transmission power	8 dBm
Radio range in free-field conditions	≥ 100 m
Maximum number of connections to one Gateway	24
Volume at a distance of 3 m	> 85 dB(A)
Casing dimensions (W × H × D)	138 mm x 138 mm x 41 mm
Weight	440 g

9.2 Declaration of conformity

Hereby, Robert Bosch Smart Home GmbH declares that the radio equipment type Bosch Smart Home Twinguard Smoke Alarm is in compliance with Directive 2014/53/EU.

The full text of the EU declaration of conformity is available at the following internet address:

www.bosch-smarthome.com/EU-declarations-of-conformity



9.3 Faults in radio operation

Faults in radio operation (e.g. due to electric motors or defective electrical devices) cannot be ruled out. The radio range inside buildings may differ greatly from the radio range in free-field conditions. Apart from the

transmission power and the receiver characteristics, environmental influences such as humidity and structural characteristics may also influence radio operation.

9.4 Open-Source-Software

This Bosch Smart Home product uses open-source software. Below you will find the license information for the components used.

Contiki Open Source License

Copyright (c) 2003, Adam Dunkels.

Copyright (c) 2004-2005,2008 Swedish Institute of Computer Science.

All rights reserved.

Redistribution and use in source and binary forms, with or without modification, are permitted provided that the following conditions are met:

- ▶ Redistributions of source code must retain the above copyright notice, this list of conditions and the following disclaimer.
- ▶ Redistributions in binary form must reproduce the above copyright notice, this list of conditions and the following disclaimer in the documentation and/or other materials provided with the distribution.
- ▶ The name of the author may not be used to endorse or promote products derived from this software without specific prior written permission.

THIS SOFTWARE IS PROVIDED BY THE AUTHOR "AS IS" AND ANY EXPRESS OR IMPLIED WARRANTIES, INCLUDING, BUT NOT LIMITED TO, THE IMPLIED WARRANTIES OF MERCHANTABILITY AND FITNESS FOR A PARTICULAR PURPOSE ARE DISCLAIMED. IN NO EVENT SHALL THE AUTHOR BE LIABLE FOR ANY DIRECT, INDIRECT, INCIDENTAL, SPECIAL, EXEMPLARY, OR CONSEQUENTIAL DAMAGES (INCLUDING, BUT NOT LIMITED TO, PROCUREMENT OF SUBSTITUTE GOODS OR SERVICES; LOSS OF USE, DATA, OR PROFITS; OR BUSINESS INTERRUPTION) HOWEVER CAUSED AND ON ANY THEORY OF LIABILITY, WHETHER IN CONTRACT, STRICT LIABILITY, OR TORT (INCLUDING NEGLIGENCE OR OTHERWISE) ARISING IN ANY WAY OUT OF THE USE OF THIS SOFTWARE, EVEN IF ADVISED OF THE POSSIBILITY OF SUCH DAMAGE.

ARM CMSIS Open Source License

Copyright (c) 2009–2014 ARM LIMITED

All rights reserved.

Redistribution and use in source and binary forms, with or without modification, are permitted provided that the following conditions are met:

- ▶ Redistributions of source code must retain the above copyright notice, this list of conditions and the following disclaimer.
- ▶ Redistributions in binary form must reproduce the above copyright notice, this list of conditions and the following disclaimer in the documentation and/or other materials provided with the distribution.
- ▶ Neither the name of ARM nor the names of its contributors may be used to endorse or promote products derived from this software without specific prior written permission.

THIS SOFTWARE IS PROVIDED BY THE COPYRIGHT HOLDERS AND CONTRIBUTORS "AS IS" AND ANY EXPRESS OR IMPLIED WARRANTIES, INCLUDING, BUT NOT LIMITED TO, THE IMPLIED WARRANTIES OF MERCHANTABILITY AND FITNESS FOR A PARTICULAR PURPOSE ARE DISCLAIMED. IN NO EVENT SHALL COPYRIGHT HOLDERS AND CONTRIBUTORS BE LIABLE FOR ANY DIRECT, INDIRECT, INCIDENTAL, SPECIAL, EXEMPLARY, OR CONSEQUENTIAL DAMAGES (INCLUDING, BUT NOT LIMITED TO, PROCUREMENT OF SUBSTITUTE GOODS OR SERVICES; LOSS OF USE, DATA, OR PROFITS; OR BUSINESS INTERRUPTION) HOWEVER CAUSED AND ON ANY THEORY OF LIABILITY, WHETHER IN CONTRACT, STRICT LIABILITY, OR TORT (INCLUDING NEGLIGENCE OR OTHERWISE) ARISING IN ANY WAY OUT OF THE USE OF THIS SOFTWARE, EVEN IF ADVISED OF THE POSSIBILITY OF SUCH DAMAGE.

Artefacts licensed under the 3-clause BSD license

Copyright (c) 1994-2009 Red Hat, Inc.

Copyright (c) 1981-2000 The Regents of the University of California.

Copyright (c) 2001 Christopher G. Demetriou.

Copyright (c) 1999 Kungliga Tekniska Högskolan (Royal Institute of Technology, Stockholm, Sweden).

Copyright (c) 1998 Todd C. Miller Todd.Miller@courtesan.com

Copyright (c) 2009 ARM Ltd

(Note: This list is an aggregation and does not indicate collaboration on artefacts)

All rights reserved.

Redistribution and use in source and binary forms, with or without modification, are permitted provided that the following conditions are met:

1. Redistributions of source code must retain the above copyright notice, this list of conditions and the following disclaimer.
2. Redistributions in binary form must reproduce the above copyright notice, this list of conditions and the following disclaimer in the documentation and/or other materials provided with the distribution.
3. Neither the name of the organization nor the names of its contributors may be used to endorse or promote products derived from this software without specific prior written permission.

THIS SOFTWARE IS PROVIDED BY THE COPYRIGHT HOLDERS AND CONTRIBUTORS "AS IS" AND ANY EXPRESS OR IMPLIED WARRANTIES, INCLUDING, BUT NOT LIMITED TO, THE IMPLIED WARRANTIES OF MERCHANTABILITY AND FITNESS FOR A PARTICULAR PURPOSE ARE DISCLAIMED. IN NO EVENT SHALL <COPYRIGHT HOLDER> BE LIABLE FOR ANY DIRECT, INDIRECT, INCIDENTAL, SPECIAL, EXEMPLARY, OR CONSEQUENTIAL DAMAGES (INCLUDING, BUT NOT LIMITED TO, PROCUREMENT OF SUBSTITUTE GOODS OR SERVICES; LOSS OF USE, DATA, OR PROFITS; OR BUSINESS INTERRUPTION) HOWEVER CAUSED AND ON ANY THEORY OF LIABILITY, WHETHER IN CONTRACT, STRICT LIABILITY, OR TORT (INCLUDING NEGLIGENCE OR OTHERWISE) ARISING IN ANY WAY OUT OF THE USE OF THIS SOFTWARE, EVEN IF ADVISED OF THE POSSIBILITY OF SUCH DAMAGE.

Artefacts licensed under the 2-clause BSD license

Copyright (c) 2000, 2001 Alexey Zelkin phantom@FreeBSD.org

Copyright (c) 1996 by Andrey A. Chernov, Moscow, Russia.

Copyright (c) 1997 by Andrey A. Chernov, Moscow, Russia.

Copyright (c) 2001 Daniel Eischen <deischen@FreeBSD.org>.

Copyright (c) 1999 Citrus Project.

Copyright (c) 1995 Alex Tatmanjants alex@elvisti.kiev.ua at Electronni Visti IA, Kiev, Ukraine.

Copyright (c) 1998, M. Warner Losh imp@freebsd.org

Copyright (c) 2008 Ed Schouten ed@FreeBSD.org

(Note: This list is an aggregation and does not indicate collaboration on artefacts)

All rights reserved.

Redistribution and use in source and binary forms, with or without modification, are permitted provided that the following conditions are met:

1. Redistributions of source code must retain the above copyright notice, this list of conditions and the following disclaimer.
2. Redistributions in binary form must reproduce the above copyright notice, this list of conditions and the following disclaimer in the documentation and/or other materials provided with the distribution.

THIS SOFTWARE IS PROVIDED BY THE COPYRIGHT HOLDERS AND CONTRIBUTORS "AS IS" AND ANY EXPRESS OR IMPLIED WARRANTIES, INCLUDING, BUT NOT LIMITED TO, THE IMPLIED WARRANTIES OF MERCHANTABILITY AND FITNESS FOR A PARTICULAR PURPOSE ARE DISCLAIMED. IN NO EVENT SHALL <COPYRIGHT HOLDER> BE LIABLE FOR ANY DIRECT, INDIRECT, INCIDENTAL, SPECIAL, EXEMPLARY, OR CONSEQUENTIAL DAMAGES (INCLUDING, BUT NOT LIMITED TO, PROCUREMENT OF SUBSTITUTE GOODS OR SERVICES; LOSS OF USE, DATA, OR PROFITS; OR BUSINESS INTERRUPTION) HOWEVER CAUSED AND ON ANY THEORY OF LIABILITY, WHETHER IN CONTRACT, STRICT LIABILITY, OR TORT (INCLUDING NEGLIGENCE OR OTHERWISE) ARISING IN ANY WAY OUT OF THE USE OF THIS SOFTWARE, EVEN IF ADVISED OF THE POSSIBILITY OF SUCH DAMAGE.

Software authored by David M. Gay

Copyright (c) 1991 by AT&T.

Permission to use, copy, modify, and distribute this software for any purpose without fee is hereby granted, provided that this entire notice is included in all copies of any software which is or includes a copy or modification of this software and in all copies of the supporting documentation for such software.

THIS SOFTWARE IS BEING PROVIDED "AS IS", WITHOUT ANY EXPRESS OR IMPLIED WARRANTY. IN PARTICULAR, NEITHER THE AUTHOR NOR AT&T MAKES ANY REPRESENTATION OR WARRANTY OF ANY KIND CONCERNING THE MERCHANTABILITY OF THIS SOFTWARE OR ITS FITNESS FOR ANY PARTICULAR PURPOSE.

Copyright (C) 1998-2001 by Lucent Technologies.

All rights reserved.

Permission to use, copy, modify, and distribute this software and its documentation for any purpose and without fee is hereby granted, provided that the above copyright notice appear in all copies and that both that the copyright notice and this permission notice and warranty disclaimer appear in supporting documentation, and that the name of Lucent or any of its entities not be used in advertising or publicity pertaining to distribution of the software without specific, written prior permission.

LUCENT DISCLAIMS ALL WARRANTIES WITH REGARD TO THIS SOFTWARE, INCLUDING ALL IMPLIED WARRANTIES OF MERCHANTABILITY AND FITNESS. IN NO EVENT SHALL LUCENT OR ANY OF ITS ENTITIES BE LIABLE FOR ANY SPECIAL, INDIRECT OR CONSEQUENTIAL DAMAGES OR ANY DAMAGES WHATSOEVER RESULTING FROM LOSS OF USE, DATA OR PROFITS, WHETHER IN AN ACTION OF CONTRACT, NEGLIGENCE OR OTHER TORTIOUS ACTION, ARISING OUT OF OR IN CONNECTION WITH THE USE OR PERFORMANCE OF THIS SOFTWARE.

Software authored by Sun Microsystems

Copyright (c) 1993 by Sun Microsystems, Inc. All rights reserved.
Developed at SunPro, a Sun Microsystems, Inc. business.
Permission to use, copy, modify, and distribute this software is freely granted, provided that this notice is preserved.

Software authored by Hewlett Packard

Copyright (c) 1986 HEWLETT-PACKARD COMPANY

To anyone who acknowledges that this file is provided "AS IS" without any express or implied warranty: permission to use, copy, modify, and distribute this file for any purpose is hereby granted without fee, provided that the above copyright notice and this notice appears in all copies, and that the name of Hewlett-Packard Company not be used in advertising or publicity pertaining to distribution of the software without specific, written prior permission. Hewlett-Packard Company makes no representations about the suitability of this software for any purpose.

Software authored by Hans-Peter Nilsson

Copyright (c) 2001 Hans-Peter Nilsson

Permission to use, copy, modify, and distribute this software is freely granted, provided that the above copyright notice, this notice and the following disclaimer are preserved with no changes.

THIS SOFTWARE IS PROVIDED "AS IS" AND WITHOUT ANY EXPRESS OR IMPLIED WARRANTIES, INCLUDING, WITHOUT LIMITATION, THE IMPLIED WARRANTIES OF MERCHANTABILITY AND FITNESS FOR A PARTICULAR PURPOSE.

Software authored by S. L. Moshier

Author: S. L. Moshier.

Copyright (c) 1984, 2000 S.L. Moshier

Permission to use, copy, modify, and distribute this software for any purpose without fee is hereby granted, provided that this entire notice is included in all copies of any software which is or includes a copy or modification of this software and in all copies of the supporting documentation for such software.

THIS SOFTWARE IS BEING PROVIDED "AS IS", WITHOUT ANY EXPRESS OR IMPLIED WARRANTY. IN PARTICULAR, THE AUTHOR MAKES NO REPRESENTATION OR WARRANTY OF ANY KIND CONCERNING THE MERCHANTABILITY OF THIS SOFTWARE OR ITS FITNESS FOR ANY PARTICULAR PURPOSE.

9.5 Environmental protection and disposal

Electrical and electronic equipment that is no longer usable or is defective, or used batteries must be separated from other waste and recycled in an environmentally friendly manner (European Directive on Waste Electrical and Electronic Equipment). To dispose of old electrical and electronic equipment or batteries, use your country-specific return and collection systems.

Batteries must not be disposed of with household waste. Used batteries must be disposed of in the local collection systems.



10.0 FURTHER INFORMATION

You can find more detailed information on operating and maintaining the Smoke Alarms in the online FAQs at www.bosch-smarthome.com/faq

You will also find all contact details on the rear side of this document.



Sale and transfer

Before you transfer or sell your device, delete your personal information. To do this, reset the device to its factory settings (see online FAQs).



Bosch
Smart
Home

#BeSmarter


INTERCONNECTED SMART HOME PRODUCTS

Bosch Smart Home offers a range of products to make your life more comfortable, safer and more sustainable.

More at www.bosch-smarthome.com



 Robert Bosch Smart Home GmbH
Schockenriedstraße 17
70565 Stuttgart, Germany

 00800 8437 6278 (free for UK)
Mon–Fri 7:00 am–8:00 pm
Sat 8:00 am–6:00 pm

 service@bosch-smarthome.com



BOSCH